



healthtec

Supporting you

1300 362 923

www.healthtec.com.au

EXAMINATION RANGE

Examination Table

Suitable for a wide range of specialties including general practice, natural therapies, massage, beauty treatments or any multi-function practice.

Every practice should have at least one heavy duty table allowing the safe lift of heavy patients reducing fatigue and back strain on the practitioner. This two section couch can safely lift up to 350kg with an electrically adjusting backrest from flat to +70° enabling quick comfortable seated or semi-reclined positioning. The column lift eliminates total pinch and crush points so nothing can get trapped under the table.



FEATURES

Electric height adjustment with hand switch

Column lift eliminating crush points

Independently lockable castors

Durable powder coated rust resistant frame

High quality anti-microbial vinyl & CFC free foam

SPECIFICATIONS

WIDTH	710mm
LENGTH	1930mm
FOAM	75mm Comfort Foam
VINYL	PVC (tested to AS1530.3)
HEIGHT RANGE	495mm to 895mm
HEIGHT SPEED	Full height within 25 seconds
CONTROLLER	Hand Switch Foot switch upgrade available
BACKREST SPEED	Flat to +70° within 15 seconds
BASE	EVO Column Base with lockable castors
LIFT CAPACITY	350kg (moving)
SAFE WORKING LOAD	400kg (stationary)
WARRANTY	5 year Electrical Lifetime Structural (parts only)

AVAILABLE ACCESSORIES



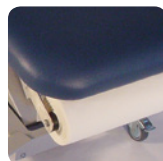
Procedure Arm



Gynae Leg Supports



Side Rails



Paper Towel Roll Holder



The Healthtec Warranty

Healthtec offers a lifetime warranty on all our manufactured tables and a five year warranty on motors and foot switches from date of purchase. Original suppliers warranty applies.

ARTG 132667

© August 2018





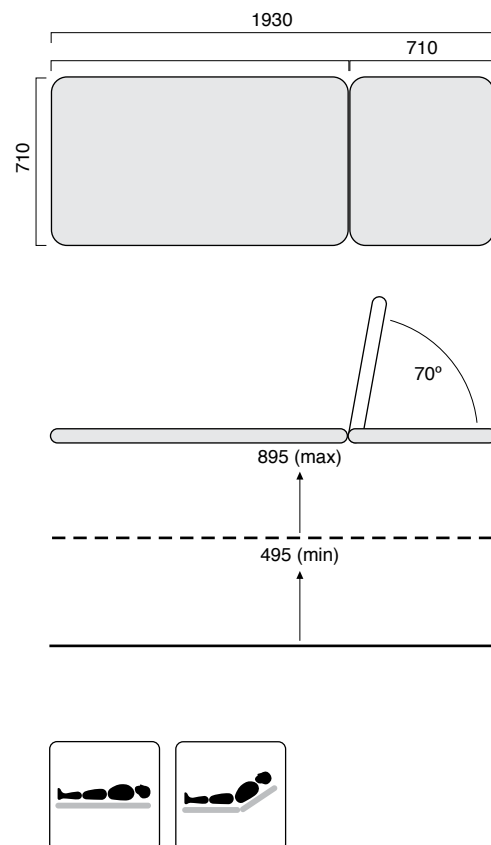
Supporting you

www.healthtec.com.au

PRICE SHEET

Examination Table

	CODE	QTY
Product Description		
EVO2 Examination Table (710 wide) w/castors	55121	
EVO2 Examination Table (710 wide) w/Electric backrest & castors	55121-EB	
Width Options		
760mm Width Option	-75	
Custom Width Option	6014	
Foam & Vinyl Options		
Non-Stock Vinyl Option	6018	
*please refer to our colour chart for vinyl colour options		
Nose Hole Options		
Nose Hole – Examination Backrest	6011	
Nose Hole Plug	6010	
Examination Options		
Procedure Arm	5102	
Gynae Leg Supports	5114	
Side Rail (Left/Right) Pair	5115	
Drip Pole (IV) Mounting Bracket	6041	
Table Protection Options		
Paper Towel Roll Holder	6017	
Operator Options		
Upgrade to Foot Switch	A2378	
Extended Warranty		
10 Years on Electrical	7800	
Freight		
Freight charges are not included in our prices. Please contact your Healthtec representative for freight costs and options.		
Shipping Dimensions	2050mm x 850mm x 650mm	
Shipping Weight	80kg (approximately)	



FRECALL
1300 362 923
 info@healthtec.com.au



Healthtec Pty Ltd ABN 94 224 518 379 ARTG 132667
 © August 2018

Disclaimer: Due to our policy of constant product improvement, specifications may change without notice. Check with us for the latest specifications and pricing.