



Supporting you

1300 362 923
www.healthtec.com.au

TREATMENT RANGE

Treatment Table – Five Section

Ideal for physiotherapy, massage, osteopathy and beauty treatments.

Every practice should have at least one heavy duty table allowing the safe lift of heavy patients reducing fatigue and back strain on the practitioner.

The manual adjustable head section includes a nose hole and can be lowered allowing the prone patient to fully relax the neck muscles.

The manual adjustable leg rest can be raised enabling the table to turn into a chair for when you need your patients in a seated position.



FEATURES

- Electric height adjustment with handswitch
- Column lift eliminating crush points
- Independently lockable castors
- Durable powder coated rust resistant frame
- High quality anti-microbial vinyl & CFC free foam
- Australian designed & manufactured

SPECIFICATIONS

WIDTH	610mm
LENGTH	1840mm
FOAM	50mm
VINYL	PVC (tested to AS1530.3)
HEIGHT RANGE	470mm to 870mm
HEIGHT SPEED	Full height within 25 seconds
CONTROLLER	Hand Switch Foot switch upgrade available
BACKREST SPEED	Flat to +70° within 15 seconds
HEAD REST	+40° to -90° (manual adjustment)
LEG REST	+70° (manual adjustment)
BASE	EVO Column Base with lockable castors
LIFT CAPACITY	350kg (moving)
SAFE WORKING LOAD	400kg (stationary)
WARRANTY	5 year Electrical Lifetime Structural (parts only)



The Healthtec Warranty
 Healthtec offers a lifetime warranty on all our manufactured tables and a five year warranty on motors and foot switches from date of purchase. Original suppliers warranty applies.
 ARTG 132667 © August 2018





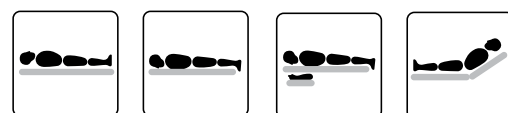
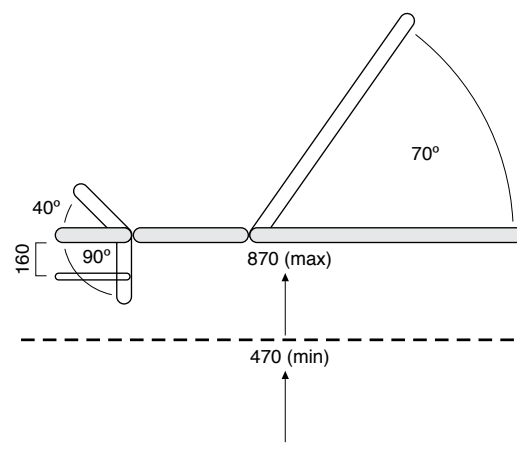
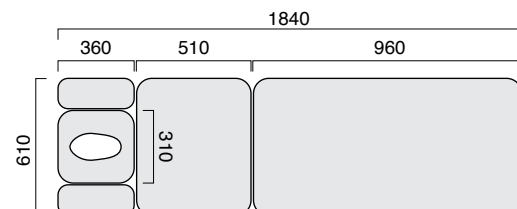
Supporting you

www.healthtec.com.au

PRICE SHEET

Treatment Table – Five Section

	CODE	QTY
Product Description		
EVO2 Treatment Table (610 wide) – Five Section w/castors	55051	
Width Options		
660mm Width Option	-65	
710mm Width Option	-71	
760mm Width Option	-75	
Custom Width Option	6014	
Foam & Vinyl Options		
75mm Comfort Foam	6005	
Non-Stock Vinyl Option	6018	
*please refer to our colour chart for vinyl colour options		
Nose Hole Options		
Nose Hole – Extra (Footend)	6011	
Nose Hole Plug	6010	
Armrest & Footrest Options		
Footrest Extension	5104	
Gynae Leg Supports	5114	
Table Protection		
Paper Towel Roll Holder	6017	
Extended Warranty		
10 Years on Electrical	7800	
Freight		
Freight charges are not included in our prices. Please contact your Healthtec representative for freight costs and options.		
Shipping Dimensions	2050mm x 850mm x 650mm	
Shipping Weight	80kg (approximately)	



FRECALL
1300 362 923
info@healthtec.com.au



Healthtec Pty Ltd ABN 94 224 518 379 ARTG 132667
© August 2018

Disclaimer: Due to our policy of constant product improvement, specifications may change without notice. Check with us for the latest specifications and pricing.