



healthtec

Supporting you

1300 362 923

www.healthtec.com.au

EXAMINATION TABLES

GP3 Examination Table

Suitable for a wide range of specialties including general practice, natural therapies, massage, beauty treatments or any multi-function practice.

This all-electric table is in three sections, allowing for a greater range of clinical assessments and examinations. The backrest can be positioned from flat to +60° enabling a comfortable seated or semi-reclined position, while the leg section can be adjusted between +30° to flat and -30° tilt.

The table can also be ordered with or without a nose hole for the face.



FEATURES

- Electric height adjustment with Handswitch
- X-Frame scissor-lift action minimises pinch and crush points
- Independently lockable castors for full mobility
- Durable powder coated rust resistant frame
- High quality anti-microbial vinyl & CFC free foam

SPECIFICATIONS

WIDTH	710mm
LENGTH	2000mm
FOAM	50mm
VINYL	PVC (tested to AS1530.3)
HEIGHT RANGE	450mm to 950mm
HEIGHT SPEED	Full height within 16 seconds
CONTROLLER	Handswitch
BACKREST SPEED	Flat to +60° within 8 seconds
FOOTREST SPEED	Flat to +30°/-30° within 8 seconds
BASE	LynX X-Frame with lockable castors
LIFT CAPACITY	250kg (moving)
SAFE WORKING LOAD	400kg (stationary)
WARRANTY	5 year Electrical Lifetime Structural (parts only)

AVAILABLE ACCESSORIES



Procedure Arm



Gynae Leg Supports



Paper Towel Roll Holder



Nose Hole



The Healthtec Warranty

Healthtec offers a lifetime warranty on all our manufactured tables and a five year warranty on motors and foot switches from date of purchase. Original suppliers warranty applies.

ARTG 132667

© May 2021





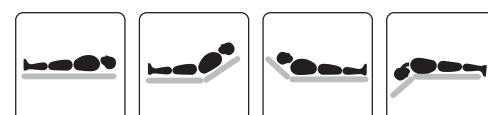
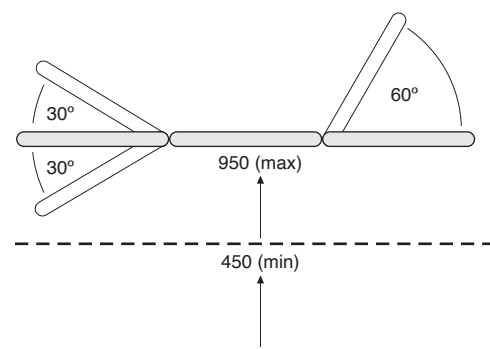
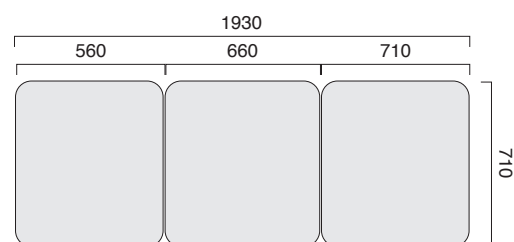
Supporting you

www.healthtec.com.au

PRICE SHEET

GP3 Examination Table

Product Description	CODE	QTY
LynX GP3 Examination Table (710 wide) – All Electric w/castors	53661-7AE	
Width Options		
760mm Width Option	-75	
Custom Width Option	6014	
Foam & Vinyl Options		
75mm Comfort Foam	6005	
Non-Stock Vinyl Option	6018	
*please refer to our colour chart for vinyl colour options		
Nose Hole Options		
Nose Hole – Examination Backrest	6011	
Nose Hole Plug	6010	
Examination Options		
Procedure Arm	5102	
Gynae Leg Supports	5114	
Table Protection		
Paper Towel Roll Holder	6017	
Extended Warranty		
10 years Frame & Electrics	7800	
Freight		
Freight charges are not included in our prices. Please contact your Healthtec representative for freight costs and options.		
Shipping Dimensions	2050mm x 850mm x 650mm	
Shipping Weight	80kg (approximately)	



FRECALL
1300 362 923
 info@healthtec.com.au



Healthtec Pty Ltd ABN 94 224 518 379 ARTG 132667
 © May 2021

Disclaimer: Due to our policy of constant product improvement, specifications may change without notice. Check with us for the latest specifications and pricing.