



healthtec

Supporting you

1300 362 923

www.healthtec.com.au

EXAMINATION RANGE

GP Examination Table

Suitable for a wide range of specialties including general practice, natural therapies, massage, beauty treatments or any multi-function practice.

Two section couch that complies with RACGP recommendations. The low minimum height allows for easy access for elderly or incapacitated patients. The manually adjustable backrest ranges from flat to +70° enabling a comfortable seated or semi-reclined position. Also available with an electric Backrest.



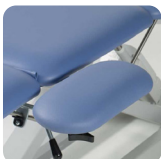
FEATURES

- Electric Height Adjustment with Footswitch
- X-Frame Lift Action Minimises Pinch and Crush Points
- Durable Powder Coated Rust Resistant Steel Frame
- High Quality Anti-microbial Vinyl & CFC Free Foam
- Australian Designed & Manufactured

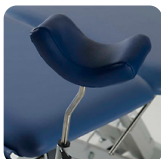
SPECIFICATIONS

WIDTH	710mm
LENGTH	1930mm
FOAM	50mm
VINYL	PVC (Tested to AS1530.3)
HEIGHT RANGE	450mm to 950mm
HEIGHT SPEED	Full Height within 16 Seconds
CONTROLLER	Footswitch
BASE	LynX X-Frame with Lockable Castors
LIFT CAPACITY	250kg (Moving)
SAFE WORKING LOAD	400kg (Stationary)
WARRANTY	5 year Electrical – 3 Year Upholstery – Lifetime Structural (parts only)

AVAILABLE ACCESSORIES



Procedure Arm



Gynae Leg Supports



Side Rails



Paper Towel Roll Holder



The Healthtec Warranty

Healthtec offers a lifetime warranty on all our manufactured tables and a five year warranty on motors and foot switches from date of purchase. Original suppliers warranty applies.

ARTG 132667

© July 2021





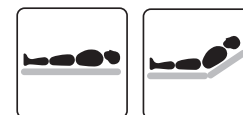
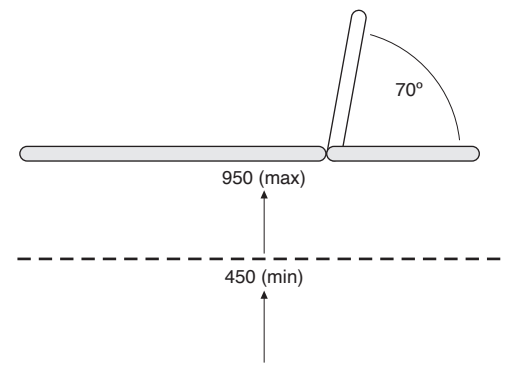
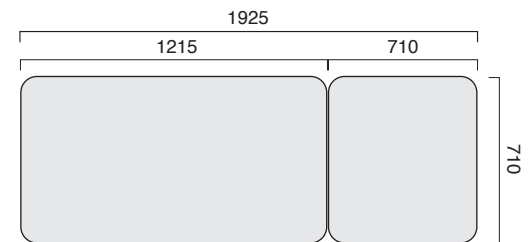
Supporting you

www.healthtec.com.au

SPECIFICATIONS

GP Examination Table

	CODE
Product Description	
LynX GP Examination Table (710 wide) – Two Section (1/3–2/3) w/Castors	53121T-7
LynX GP Examination Table (710 wide) – Two Section (1/3–2/3) w/Electric Backrest and Castors	53121T-7-EB
Width Options	
660mm Width Option	-65
760mm Width Option	-75
Custom Width Option	6014
Foam & Vinyl Options	
75mm Comfort Foam	6005
Non-Stock Vinyl Option	6018
*please refer to our colour chart for vinyl colour options	
Nose Hole Options	
Nose Hole	6011
Nose Hole Plug	6010
Drawer Options	
Side Drawer	5120
Examination Options	
Procedure Arm	5102
Gynae Leg Supports	5114
Side Rail (Left/Right) Pair	5115
Table Protection	
Paper Towel Roll Holder	6017
Freight	
Freight charges are not included in our prices. Please contact your Healthtec representative for freight costs and options.	
Shipping Dimensions	2050mm x 850mm x 650mm
Shipping Weight	80kg (approximately)



FRECALL
1300 362 923
 info@healthtec.com.au



Healthtec Pty Ltd ABN 94 224 518 379 ARTG 132667
 © July 2021

Disclaimer: Due to our policy of constant product improvement, specifications may change without notice. Check with us for the latest specifications and pricing.