



healthtec

Supporting you

1300 362 923

www.healthtec.com.au

EXAMINATION RANGE

GP Examination Table - Two Section

Designed to comply with RACGP recommendations.

The SX GP Examination table features a smooth scissor action with no longitudinal movement from high to low enabling it to fit easily into small cubicles.

The low minimum height allows for easy patient access and comfort while the maximum height can quickly be set to suit the practitioner's requirements and the lift-up back section enables a comfortable seated or semi-recline position.



FEATURES

- Electric height adjustment with footswitch
- X-Frame lift action minimises pinch & crush points
- Heavy duty independently lockable castors
- Durable powder coated rust resistant frame
- High quality anti-microbial vinyl & CFC free foam
- Australian designed & manufactured

SPECIFICATIONS

WIDTH	710mm
LENGTH	1930mm
FOAM	50mm Enduro Foam
VINYL	PVC (tested to AS1530.3)
HEIGHT RANGE	450mm to 950mm
HEIGHT SPEED	Full height in 16 seconds
LIFT CAPACITY	250kg (moving)
SAFE WORKING LOAD	400kg (stationary)
BASE	SX X-Frame with castors
CONTROLLER	Footswitch
WARRANTY	5 year Electrical Lifetime Structural (parts only)



The Healthtec Warranty

Healthtec offers a lifetime warranty on all our manufactured tables and a five year warranty on motors and foot switches from date of purchase. Original suppliers warranty applies.

ARTG 132667

© August 2018





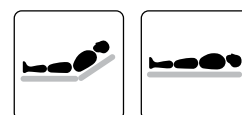
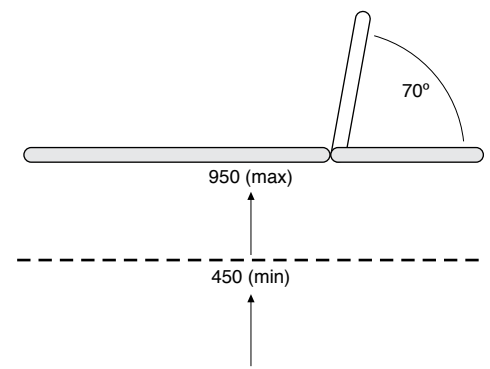
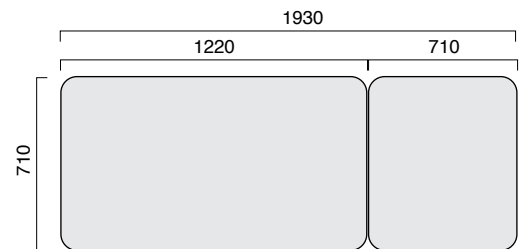
Supporting you

www.healthtec.com.au

PRICE SHEET

SX GP Examination Table - Two Section

Product Description	CODE	QTY
Product Description		
SX GP Examination Table (710 wide) w/Castors — Two Section (1/3 – 2/3) w/ Castors	50121T-7	
SX GP Examination Table (710 wide) w/Castors — Two Section (1/3 – 2/3) w/ Electric Backrest and Castors	50121T-7-EB	
SX GP Examination Table (710 wide) w/Castors — Two Section (1/3 – 2/3) w/ Electric Backrest and Cable-Lock Castors	50121T-7-EB-CLC	
Foam & Vinyl Options		
Non-Stock Vinyl Upgrade	6018	
75mm Comfort Foam Upgrade	6005	
Width Options		
660mm Width Option	-65	
610mm Wide Width Option	-61	
Head Section Options		
Nose Hole and Plug	6010	
Examination Options		
Procedure Arm	5102	
Gynae Leg Supports	5114	
Side Rail (Left/Right) Each	5115	
Castor Options		
SX Hoist Access (140mm clearance)	6028	
Central Locking Castor Option	6037	
Motor & Footswitch Options		
Electric Operated Back Rest	6031	
Additional Single Footswitch (1 Function)	6020	
Additional Double Footswitch (2 Functions) (for 6031 option)	6024	
Table Protection		
Paper Towel — Roll Holder	6017	
Extended Warranty		
10 years on Electrical	7800	
Freight		



Freight charges are not included in our prices.
Please contact your Healthtec representative for freight costs and options.

Shipping Dimensions	2050mm x 850mm x 750mm
Shipping Weight	80kg (approximately)

FRECALL
1300 362 923
info@healthtec.com.au



Healthtec Pty Ltd ABN 94 224 518 379 ARTG 132667
© August 2018

Disclaimer: Due to our policy of constant product improvement, specifications may change without notice. Check with us for the latest specifications and pricing.