



Supporting you

1300 362 923

www.healthtec.com.au

## REHABILITATION RANGE

# Slide Top Tilt Table

**Ideal for Rehabilitation Wards, Diagnostic Clinics doing venous testing or Physiotherapy the sliding top allows patients to practice exercises actively.**

Suitable for a broad spectrum of patients where decreased leg strength is a problem, the advantage of having a sliding top allows the patients to increase their strength and endurance safely.

Patients are able to practice independently or with carers and allows active practice for patients undertaking any rehabilitation programme.



### FEATURES

- Electric height & tilt adjustment with hand switch
- Patient lifter access
- +/- 10° plantor/dorsi flexion footplates
- Footplates can foldaway converting the tilt table into an examination table when required
- Footplates can allow for single leg squats to be performed
- Removable & adjustable shoulder horns for premium posture support
- Friction free slide top can be locked in various positions
- 3 x patient safety straps supplied as standard
- Independently operated tilt and height adjustment – can be operated at the same time or individually from any position
- Infinite tilt adjustment to +75°
- Inclination indicator to measure tilt angle
- Heavy duty industrial lockable castors
- Australian designed and manufactured

### SPECIFICATIONS

WIDTH	710mm
LENGTH	2000–2400mm
HEIGHT RANGE	550mm to 1000mm
LIFT CAPACITY	200kg (moving)
SAFE WORKING LOAD	400kg (stationary)
WARRANTY	5 year electrical Lifetime structural (parts only)



### The Healthtec Warranty

Healthtec offers a lifetime warranty on all our manufactured tables and a five year warranty on motors and foot switches from date of purchase. Original suppliers warranty applies.

TGA AR-00106892-6

© August 2018





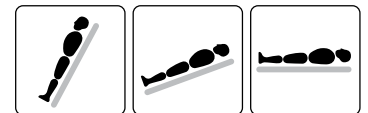
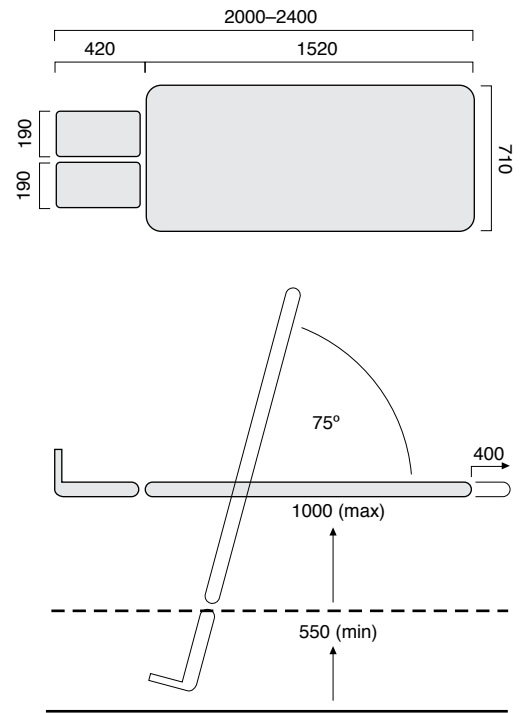
Supporting you

www.healthtec.com.au

# PRICE SHEET

## Slide Top Tilt Table

	CODE	QTY
<b>Product Description</b>		
HT Slide Top Tilt Table (710 wide) - Single Section w/Castors and Sliding Top, Plantar/Dorsi Footplate	50832	
<b>Width Options</b>		
770mm Width Option	-75	
Custom Width Option	6014	
<b>Foam &amp; Vinyl Options</b>		
75mm Comfort Foam	6005	
Non-Stock Vinyl Option	6018	
*please refer to our colour chart for vinyl colour options		
<b>Nose Hole Options</b>		
Nose Hole	6011	
Nose Hole Plug	6010	
<b>Table Protection</b>		
Paper Towel Roll Holder	6017	
<b>Extended Warranty</b>		
10 years Electrical	7800	
<b>Freight</b>		
Freight charges are not included in our prices. Please contact your Healthtec representative for freight costs and options.		
Shipping Dimensions	2050mm x 850mm x 650mm	
Shipping Weight	80kg (approximately)	



**FRECALL**  
**1300 362 923**  
info@healthtec.com.au



Healthtec Pty Ltd ABN 94 224 518 379 TGA AR-00106892-6  
© August 2018

Disclaimer: Due to our policy of constant product improvement, specifications may change without notice. Check with us for the latest specifications and pricing.